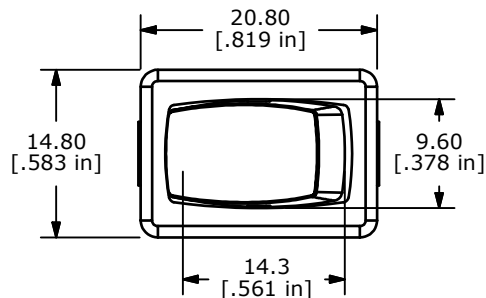
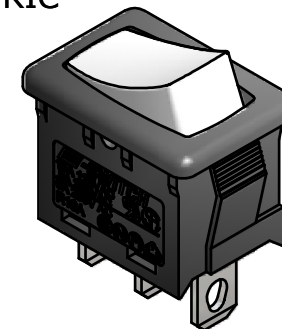


RECOMMENDED PANEL MOUNTING

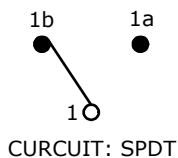
PANEL THICKNESS	X DIM.
0.75-1.25	19.20-19.30
1.25-2.00	19.30-19.40
2.00-3.00	19.50-19.60



ISOMETRIC



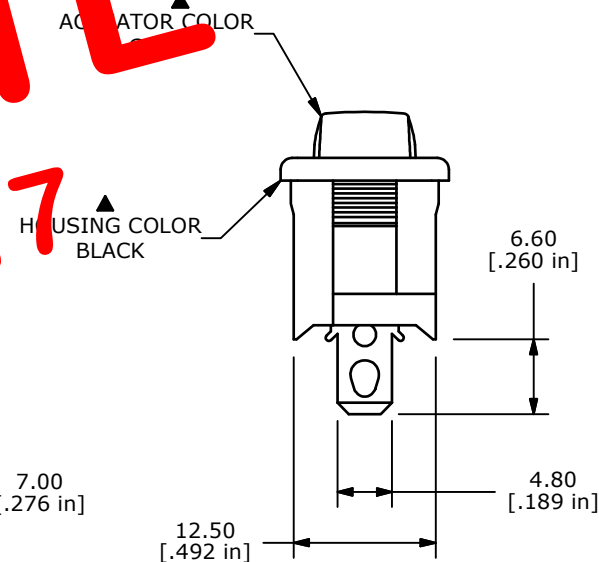
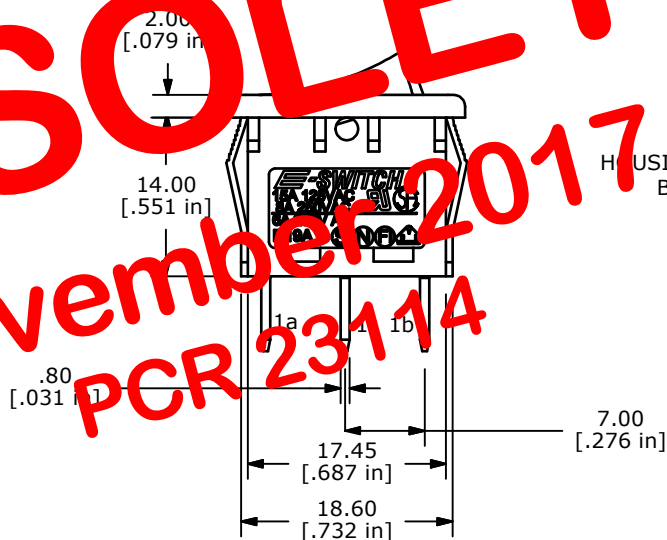
SWITCH FUNCTION		
POS. 1	POS. 2	POS. 3
ON	NONE	(ON)
1-1b	N/A	(1-1a)



NOTES:

1. ALL DIMENSIONS IN MM [INCH]
2. GENERAL TOLERANCE: X.X=±0.25
X.XX=±0.25
3. TERM. NOS. FOR REF. ONLY
4. RATING: 15A @125VAC;
8A @250VAC.
5. LAMP VOLTAGE: NO LAMP
6. MATERIAL:
CONTACT SURFACE: COIN SILVER, SILVER PLATED.
TERMINAL: COPPER ALLOY W/SILVER PLATE
7. ELECTRICAL LIFE: 10,000 CYCLES MIN.
8. CONTACT RESISTANCE: <20 MILLI-OHMS INITIAL
9. DIELECTRIC STRENGTH: >1,500V AC 1 MIN
10. ▲ DENOTES CRITICAL PARAMETER.
11. 2002/95/EC (RoHS) COMPLIANT.

OBSOLETE
 November 2017
 PCR 23114



TITLE R1966GBLKGRYEF

A	n/a	REVISED AND REDRAWN	10/7/10	BLR
REV	PCR NO	DESCRIPTION	DATE	BY

SCALE	DATE	DR	DWG	REV
1.5:1	10/7/2010	BLR	M304210	A

THE INFORMATION CONTAINED IN THIS DOCUMENT IS PROPRIETARY TO E-SWITCH AND IS NOT TO BE COPIED OR TRANSFERRED